

FEATURES:

- High Decibel Audible (optional)
- “On/Off/Test” Heavy Duty Toggle
- 3 Amp, Circuit Fuse Protection
- Heavy Duty Enclosures
- Hinged Cover With Lockable Latch
- External Mounting Feet
- NEMA 4X Rated Alarm Light
- UL 508A Listing (optional)
- One Year Limited Warranty



Available Options:

(Audible Options Include Automatic Reset Silence Circuit)

- Piezo Buzzer
- Alarm Bell
- Vibrating Horn
- UL 508A Listing

Applications Include:

- Monitoring High Liquid Levels
- Monitoring Low Liquid Levels
- Sump & Sewage Basins
- Septic Tanks & Aeration Systems
- Cisterns & Atmospheric Storage Tanks
- Chemical Solution Tanks
- And Many More...

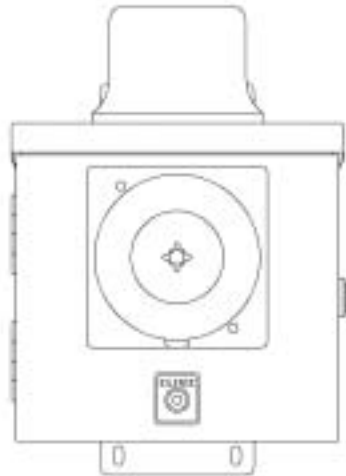
Specifications

Model	Location Use	Enclosure Type	Enclosure Material	Input Power VAC	Control Fuse	Power To Sump	Audible Included	Approx Ship Weight
CS2500	Outdoor	3R	Painted Galvanized Steel	115	3 Amp	115 VAC	--	10 lbs
CS2500P	Outdoor	3R	Painted Galvanized Steel	115	3 Amp	115 VAC	Piezo	10 lbs
CS2500B	Outdoor	3R	Painted Galvanized Steel	115	3 Amp	115 VAC	Bell	12 lbs
CS2500H	Outdoor	3R	Painted Galvanized Steel	115	3 Amp	115 VAC	Horn	13 lbs
CS3000	Outdoor	4X	Fiberglass	115	3 Amp	115 VAC	--	8 lbs
CS3000P	Outdoor	4X	Fiberglass	115	3 Amp	115 VAC	Piezo	8 lbs
CS3000B	Outdoor	4X	Fiberglass	115	3 Amp	115 VAC	Bell	10 lbs
CS3000H	Outdoor	4X	Fiberglass	115	3 Amp	115 VAC	Horn	11 lbs

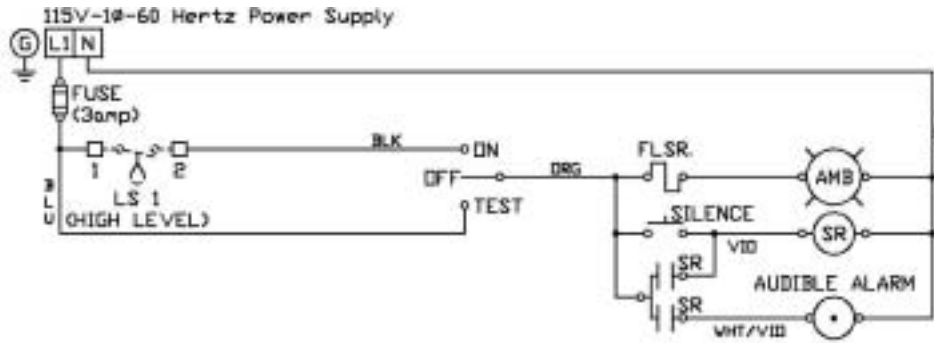
Float Switches not included. (See float switch section of catalog for available float switches and pricing)

Can't Find the Alarm You Need Listed Above?

Contact CSI and we will be glad to design an alarm system to meet your specific needs



(CS2500B shown)



(CS3000H shown)

