



FEATURES:

- Red Alarm Light
- Amber Run Light
- High Decibel Audible (optional)
- NEMA 1 Powder Coat Steel Enclosure
- Butt Hinge Enclosure Door
- 1/4 Turn Door Latch
- Mounting Holes on Enclosure Back
- Motor Circuit Breaker
- 3 Pole, Non-Reversing Contactor
- “Hand/Off/Auto” Heavy Duty Toggle
- 3 Amp, Circuit Fuse Protection
- Alarm “Test” Push Button
- Field Wiring Terminal Strips
- UL 508A Listing (optional)
- One Year Limited Warranty



APPLICATIONS INCLUDE:

Starting & Stopping Pump for:
 Sump & Sewage Basins
 Septic Tanks & Aeration Systems
 Cisterns & Atmospheric Storage Tanks
 Chemical Solution Tanks
 And Many More...

AVAILABLE OPTIONS:

Vibrating Buzzer (w/Automatic Reset Silence Circuit)
 UL 508A Listing

Specifications

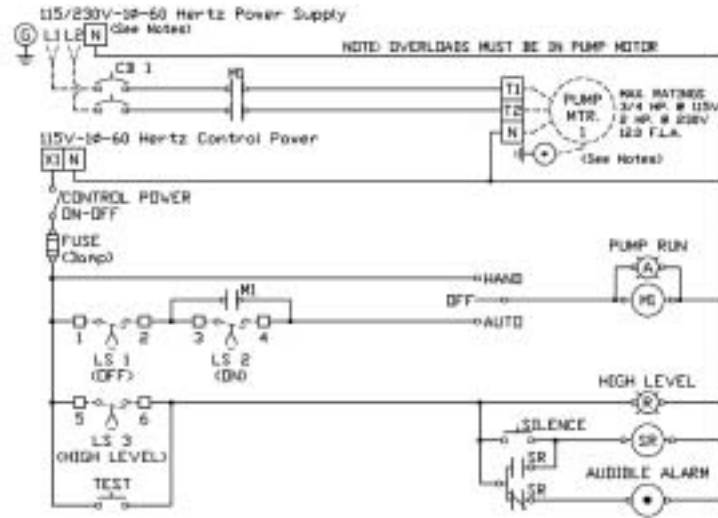
Model	Location Use	Max Full Load Amps	Enclosure Type	Enclosure Material	Input Power VAC -Ph	Audible Included	Control Fuse	Approx Ship Weight
ES1523	Indoor	12	NEMA 1	Painted Galv	115/230-1	---	3 Amp	16 lbs
ES1523A	Indoor	12	NEMA 1	Painted Galv	115/230-1	Buzzer	3 Amp	16 lbs
ES1523HD	Indoor	18	NEMA 1	Painted Galv	115/230-1	---	3 Amp	16 lbs
ES1523AHD	Indoor	18	NEMA 1	Painted Galv	115/230-1	Buzzer	3 Amp	16 lbs

*Add Suffix - FB to Model # If Ordering Float Switch and Float Switch Mounting Bracket Option
 Float Kit Includes (3) MPF-0-10 Float Switches & (1) FSB-SS3 Float Switch Mounting Bracket

Can't Find What You Need Listed Above?
 Remember CSI can custom build control panels to meet your specific needs!

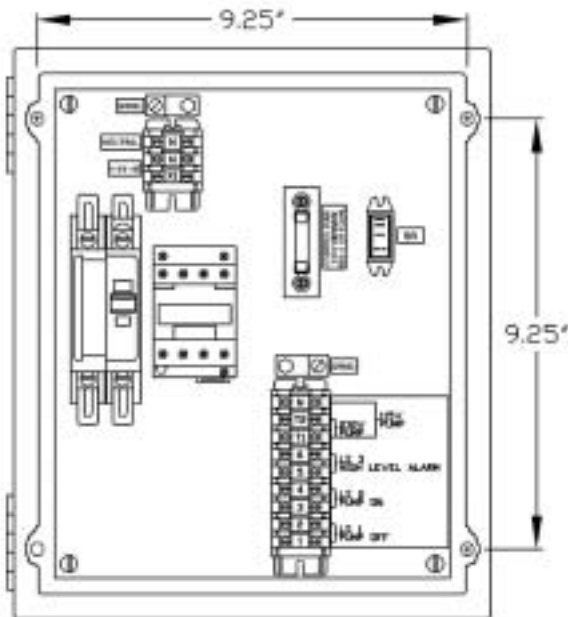
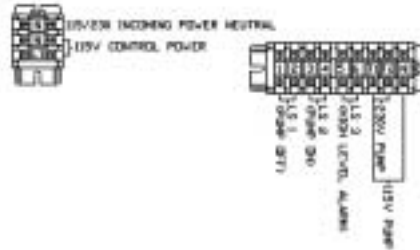


Sentry Series ES1523 NEMA 1 Simplex Controls

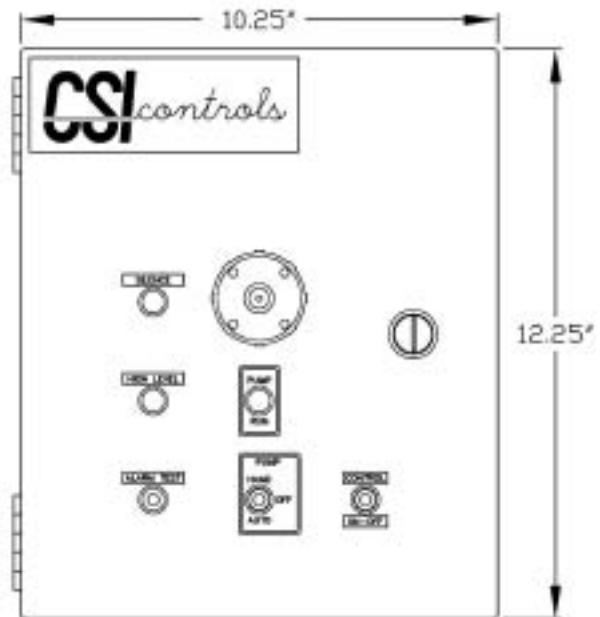


Model #ES1523A

- NOTES:
- 230V Pump & Power Supply
 - 1) Connect Power Supply to top of CB 1
 - 2) Connect Pump to Terminals T1 & T2
 - 115V Pump & Power Supply
 - 1) Connect Power Supply to Top of CB 1 terminal L1
 - 2) Connect Pump to Terminals T1 & N



BACKPANEL LAYOUT



ENCLOSURE LAYOUT

CONTROLS