



## FEATURES:

- Red Alarm Light
- 2 - Amber Run Lights
- High Decibel Audible (optional)
- NEMA 1 Powder Coat Steel Enclosure
- Butt Hinge Enclosure Door
- 1/4 Turn Door Latch
- Mounting Holes on Enclosure Back
- 2 - Motor Circuit Breakers
- Automatic Alternating Relay/Override Circuit
- 2 - 3 Pole, Non-Reversing Contactors
- 2 - "Hand/Off/Auto" Heavy Duty Toggles
- Control Power "On/Off" Heavy Duty Toggle
- 3 Amp, Circuit Fuse Protection
- Alarm "Test" Push Button
- Field Wiring Terminal Strips
- UL 508A Listing (optional)
- One Year Limited Warranty



ED1523A shown

## APPLICATIONS INCLUDE:

Starting & Stopping Pump for:  
 Sump & Sewage Basins  
 Septic Tanks & Aeration Systems  
 Cisterns & Atmospheric Storage Tanks  
 Chemical Solution Tanks  
 And Many More...

## AVAILABLE OPTIONS:

Vibrating Buzzer (w/Automatic Reset Silence Circuit)  
 UL 508A Listing

## Specifications

Model	Location Use	Max Full Load Amps	Enclosure Type	Enclosure Material	Input Power VAC -Ph	Audible Included	Control Fuse	Approx Ship Weight
ED1523	Indoor	12	NEMA 1	Painted Galv	115/230-1	---	3 Amp	21 lbs
ED1523A	Indoor	12	NEMA 1	Painted Galv	115/230-1	Buzzer	3 Amp	21 lbs
ED1523HD	Indoor	18	NEMA 1	Painted Galv	115/230-1	---	3 Amp	21 lbs
ED1523AHD	Indoor	18	NEMA 1	Painted Galv	115/230-1	Buzzer	3 Amp	21 lbs

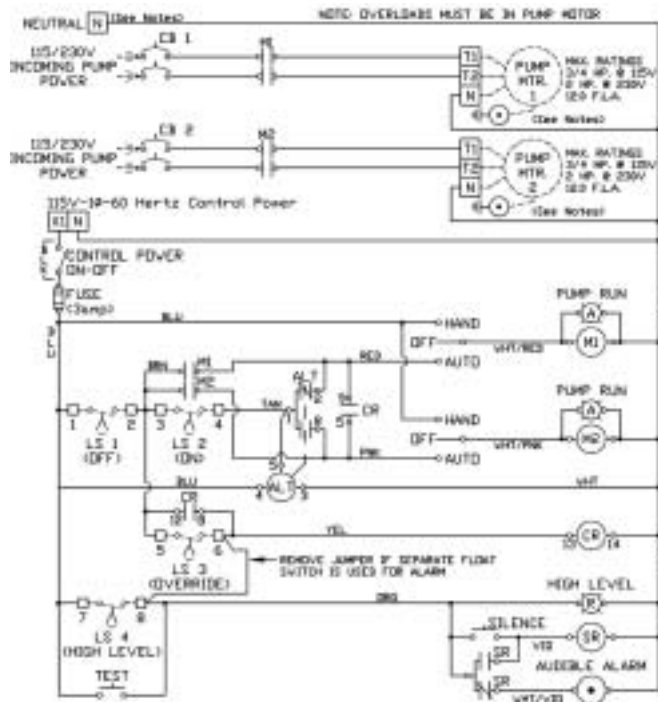
\*Add Suffix - FB to Model # If Ordering Float Switch and Float Switch Mounting Bracket Option  
 Float Kit Includes (4) MPF-0-10 Float Switches & (1) FSB-SS4 Float Switch Mounting Bracket

Can't Find What You Need Listed Above?  
 Remember CSI can custom build control panels to meet your specific needs!



# Sentry Series ED1523 NEMA 1 Duplex Controls

CONTROLS



## Model #ED1523A

### NOTES

- 1) 230V Pump & Power Supply
- 1) Connect Power Supply to top of CB 1 & CB 2
- 2) Connect Pump to Terminals T1 & T2
- 2) 115V Pump & Power Supply
- 1) Connect Power Supply to top of CB 1 terminal L1
- 2) Connect Pump to Terminals T1 & N

