



## FEATURES:

- Flashing Red Alarm Light
- Amber Run Light
- High Decibel Audible (optional)
- NEMA 4X Fiberglass Enclosure
- Stainless Piano Hinged Door
- Stainless Door Latches w/Padlock Hasp
- External Mounting Feet
- 3 Pole, Non-Reversing Contactor
- “Hand/Off/Auto” Heavy Duty Toggle
- Alarm “On/Off/Test” Heavy Duty Toggle
- Field Wiring Terminal Strips
- Motor Circuit Breaker
- Control Circuit Breaker
- Individual 3 Amp Control/Alarm Circuit Fuses
- UL 508A Listing (optional)
- One Year Limited Warranty



S230P shown

## APPLICATIONS INCLUDE:

- Starting & Stopping Pump for:
  - Sump & Sewage Basins
  - Septic Tanks & Aeration Systems
  - Cisterns & Atmospheric Storage Tanks
  - Chemical Solution Tanks
  - And Many More...

2 Hp. Max. - Motors With On-Winding Overload Protection

## AVAILABLE OPTIONS:

- Piezo Buzzer
- Alarm Bell
- Vibrating Horn

(Automatic reset silence circuit included with all audibles)  
UL 508A Listing

## Specifications

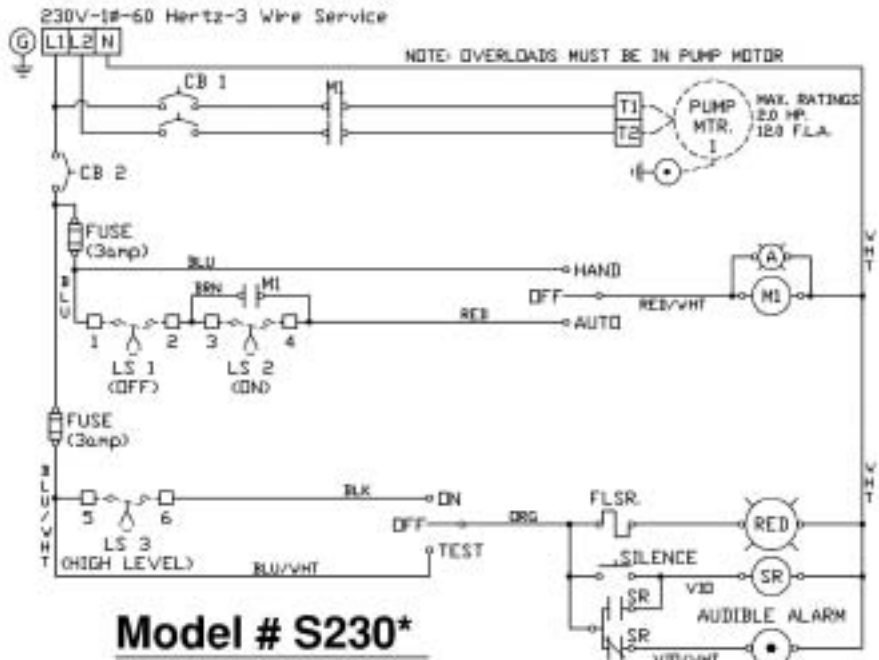
Model	Location Use	Max Full Load Amps	Enclosure Type	Enclosure Material	Input Power VAC -Ph	Audible Included	Alarm Fuse	Control Fuse	Approx Ship Weight
S230	Outdoor	12	NEMA 4X	Fiberglass	230-1	---	3 Amp	3 Amp	11 lbs
S230P	Outdoor	12	NEMA 4X	Fiberglass	230-1	Piezo	3 Amp	3 Amp	12 lbs
S230B	Outdoor	12	NEMA 4X	Fiberglass	230-1	Bell	3 Amp	3 Amp	13 lbs
S230H	Outdoor	12	NEMA 4X	Fiberglass	230-1	Horn	3 Amp	3 Amp	13 lbs

\*Add Suffix - FB to Model # If Ordering Float Switch and Float Switch Mounting Bracket Option  
Float Kit Includes (3) MPF-0-10 Float Switches & (1) FSB-SS3 Float Switch Mounting Bracket

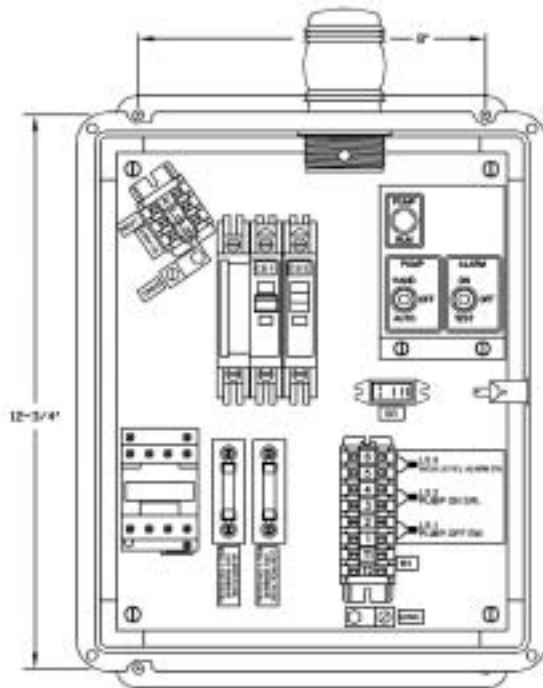
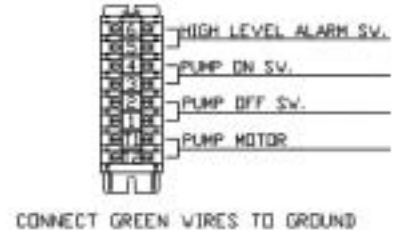
Can't Find What You Need Listed Above?  
Remember CSI can custom build control panels to meet your specific needs!



# Watch Dog Series S230 NEMA 4X Simplex Control



- \* = Audible Options
- P = Piezo
- B = Bell
- H = Horn



**Model #S230 w/Audible**  
 PIEZO AUDIBLE WILL BE MOUNTED THROUGH THE BOTTOM OF THE ENCLOSURE.  
 BELL OR HORN AUDIBLE WILL BE MOUNTED ON THE DOOR OF THE ENCLOSURE.

CONTROLS