



FEATURES:

- Flashing Red Alarm Light
- 2 - Amber Run Lights
- High Decibel Audible (optional)
- NEMA 4X Fiberglass Enclosure
- Stainless Piano Hinged Door
- Stainless Door Latches w/Padlock Hasp
- External Mounting Feet
- Automatic Alternating Relay/Override Circuit
- 2 - 3 Pole, Non-Reversing Contactors
- 2 - "Hand/Off/Auto" Heavy Duty Toggles
- Alarm "On/Off/Test" Heavy Duty Toggle
- Field Wiring Terminal Strips
- 2 - Motor Circuit Breakers
- Control Circuit Breaker
- Individual 3 Amp Control/Alarm Circuit Fuses
- UL 508A Listing (optional)
- One Year Limited Warranty

AVAILABLE OPTIONS:

Piezo Buzzer

Alarm Bell

Vibrating Horn

(Automatic reset silence circuit included with all audibles)

UL 508A Listing



D230P shown

APPLICATIONS INCLUDE:

Starting & Stopping Pump for:
 Sump & Sewage Basins
 Septic Tanks & Aeration Systems
 Cisterns & Atmospheric Storage Tanks
 Chemical Solution Tanks
 And Many More...

2 Hp. Max. - Motors With On-Winding Overload Protection

Specifications

Model	Location Use	Max Full Load Amps	Enclosure Type	Enclosure Material	Input Power VAC -Ph	Audible Included	Alarm Fuse	Control Fuse	Approx Ship Weight
D230	Outdoor	12	NEMA 4X	Fiberglass	230-1	---	3 Amp	3 Amp	19 lbs
D230P	Outdoor	12	NEMA 4X	Fiberglass	230-1	Piezo	3 Amp	3 Amp	20 lbs
D230B	Outdoor	12	NEMA 4X	Fiberglass	230-1	Bell	3 Amp	3 Amp	21 lbs
D230H	Outdoor	12	NEMA 4X	Fiberglass	230-1	Horn	3 Amp	3 Amp	21 lbs

*Add Suffix - FB to Model # If Ordering Float Switch and Float Switch Mounting Bracket Option
Float Kit Includes (4) MPF-0-10 Float Switches & (1) FSB-SS4 Float Switch Mounting Bracket

Can't Find What You Need Listed Above?

Remember CSI can custom build control panels to meet your specific needs!

Chandler Systems, Inc., 220 Ohio Street, Ashland, Ohio 44805 • Phone 419-281-5767 • FAX 419-289-2535

©2005 CSI

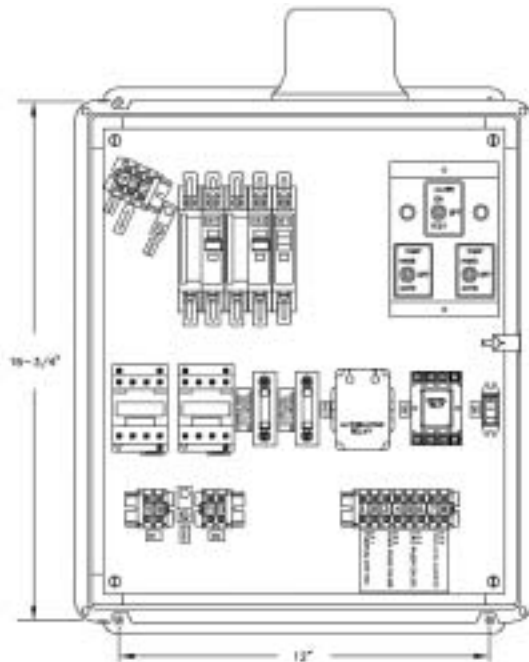
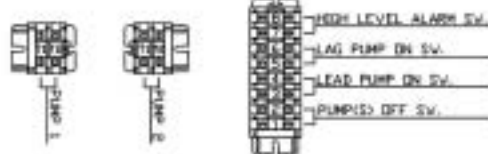
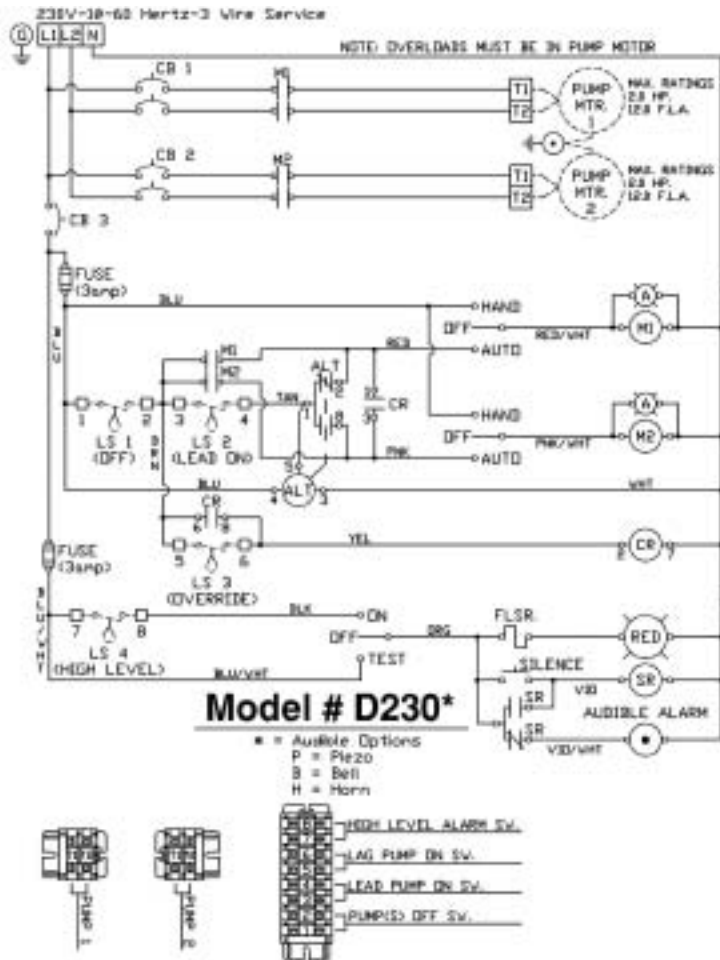
www.chandlersystemsinc.com

csi@zoominternet.net

CONTROLS



Watch Dog Series D230 NEMA 4X Duplex Control



Model #D230 w/Audible
 PIEZO AUDIBLE WILL BE MOUNTED THROUGH THE BOTTOM OF THE ENCLOSURE.
 BELL OR HORN AUDIBLE WILL BE MOUNTED ON THE UPPER-RIGHT SIDE OF THE ENCLOSURE.

CONTROLS