



FEATURES:

- Flashing Red Alarm Light
- Amber Run Light
- High Decibel Audible (optional)
- NEMA 4X Fiberglass Enclosure
- Stainless Piano Hinged Door
- Stainless Door Latches w/Padlock Hasp
- External Mounting Feet
- 3 Pole, Non-Reversing Contactor
- Adjustable Overload Relay
- Motor Heat Sensor Connection
- Motor Seal Fail Circuit
- “Hand/Off/Auto” Heavy Duty Toggle
- Alarm “On/Off/Test” Heavy Duty Toggle
- Field Wiring Terminal Strips
- Motor Circuit Breaker
- Control Circuit Breaker
- Individual 3 Amp Control/Alarm Circuit Fuses
- UL 508A Listing (optional)
- One Year Limited Warranty

AVAILABLE OPTIONS:

Piezo Buzzer

Alarm Bell

Vibrating Horn

(Automatic reset silence circuit included with all audibles)

UL 508A Listing



SSC2230P shown

APPLICATIONS INCLUDE:

Grinder & Non-Clog Pumps for:
 Residential, Commercial & Industrial
 Lift Stations
 Sewage Basins & Tanks
 Pressure Sewer Systems
 And Many More...

Motor Start Components NOT Included

Specifications

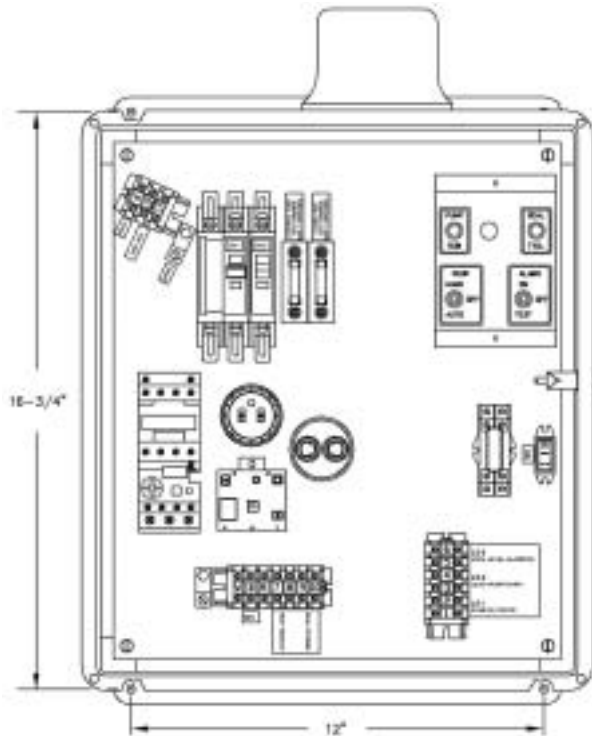
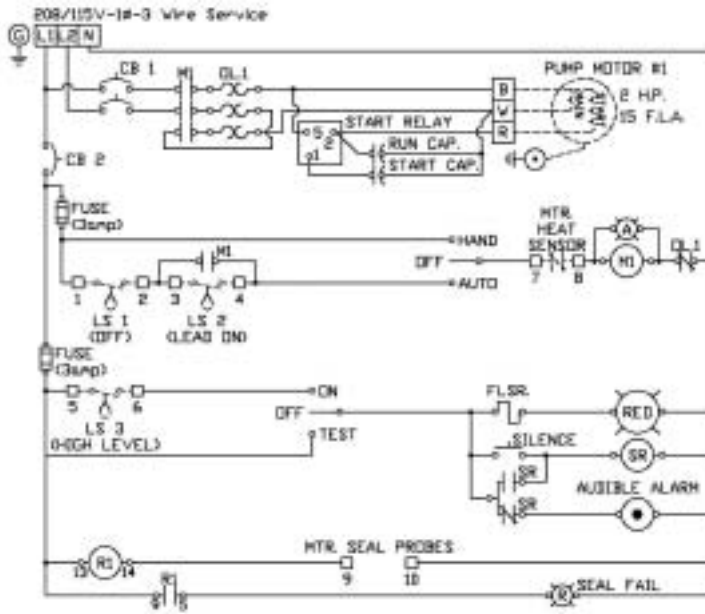
Motor Start Components NOT Included

Model	Location Use	Max Full Load Amps	Enclosure Type	Enclosure Material	Input Power VAC -Ph	Audible Included	Control & Alarm Fuses	Max Pump HP	Approx Ship Weight
SSC2230	Outdoor	12	NEMA 4X	Fiberglass	230-1	---	3 Amp	2	26 lbs
SSC2230P	Outdoor	12	NEMA 4X	Fiberglass	230-1	Piezo	3 Amp	2	26 lbs
SSC2230B	Outdoor	12	NEMA 4X	Fiberglass	230-1	Bell	3 Amp	2	27 lbs
SSC2230H	Outdoor	12	NEMA 4X	Fiberglass	230-1	Horn	3 Amp	2	28 lbs

*Add Suffix - FB to Model # If Ordering Float Switch and Float Switch Mounting Bracket Option
 Float Kit Includes (3) MPF-0-10 Float Switches & (1) FSB-SS3 Float Switch Mounting Bracket



Watch Dog Series SSC2230 NEMA 4X Simplex Control



Typical Model #SSC2230 w/Audible

CONTROLS