



FEATURES:

- Flashing Red Alarm Light
- 2 - Amber Run Lights
- High Decibel Audible (optional)
- NEMA 4X Fiberglass Enclosure
- Stainless Piano Hinged Door
- Stainless Door Latches w/Padlock Hasp
- External Mounting Feet
- Automatic Alternating Relay/Override Circuit
- 3 Pole, Non-Reversing Contactor
- 2 - Adjustable Overload Relays
- 2 - Motor Heat Sensor Connections
- 2 - Motor Seal Fail Circuits
- 2 - "Hand/Off/Auto" Heavy Duty Toggles
- Alarm "On/Off/Test" Heavy Duty Toggle
- Field Wiring Terminal Strips
- 2 - Motor Circuit Breakers
- Control Circuit Breaker
- Individual 3 Amp Control/Alarm Circuit Fuses
- UL 508A Listing (optional)
- One Year Limited Warranty

AVAILABLE OPTIONS:

Piezo Buzzer

Alarm Bell

Vibrating Horn

(Automatic reset silence circuit included with all audibles)

UL 508A Listing



DSC2230P shown

APPLICATIONS INCLUDE:

Grinder & Non-Clog Pumps for:
 Residential, Commercial & Industrial
 Lift Stations
 Sewage Basins & Tanks
 Pressure Sewer Systems
 And Many More...

CONTROLS

Motor Start Components NOT Included

Specifications

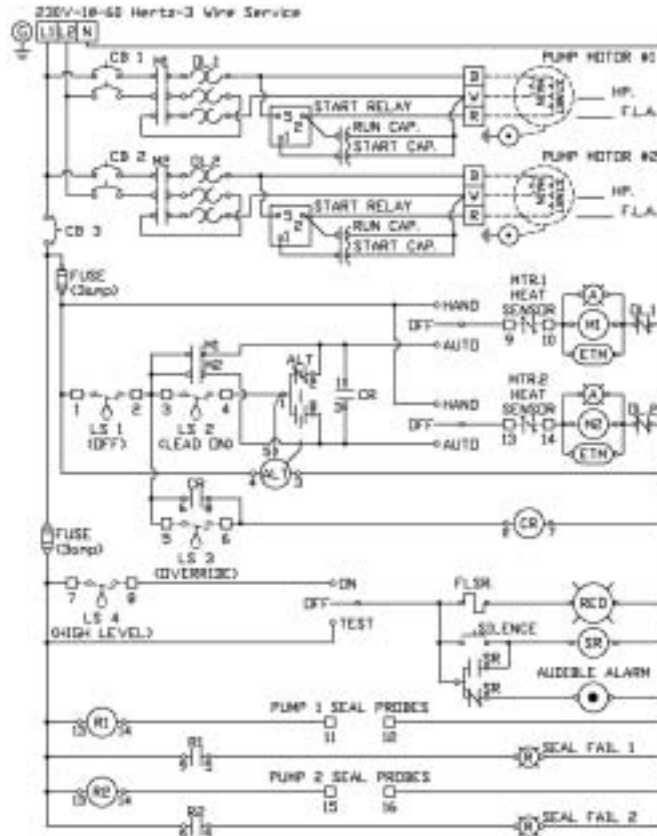
Motor Start Components NOT Included

Model	Location Use	Max Full Load Amps	Enclosure Type	Enclosure Material	Input Power VAC -Ph	Audible Included	Control & Alarm Fuses	Max Pump HP	Approx Ship Weight
DSC2230	Outdoor	12	NEMA 4X	Fiberglass	230-1	---	3 Amp	2	38 lbs
DSC2230P	Outdoor	12	NEMA 4X	Fiberglass	230-1	Piezo	3 Amp	2	38 lbs
DSC2230B	Outdoor	12	NEMA 4X	Fiberglass	230-1	Bell	3 Amp	2	39 lbs
DSC2230H	Outdoor	12	NEMA 4X	Fiberglass	230-1	Horn	3 Amp	2	40 lbs

*Add Suffix - FB to Model # If Ordering Float Switch and Float Switch Mounting Bracket Option
 Float Kit Includes (4) MPF-0-10 Float Switches & (1) FSB-SS4 Float Switch Mounting Bracket

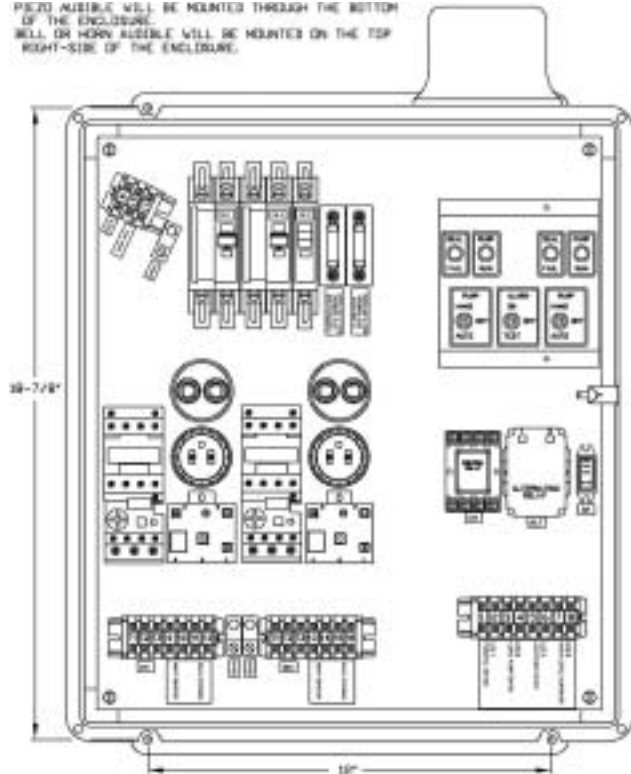


Watch Dog Series DSC2230 NEMA 4X Duplex Control



Model #DSC2230 w/Audible

PIZZO AUDIBLE WILL BE MOUNTED THROUGH THE BOTTOM OF THE ENCLOSURE.
 BELL OR HORN AUDIBLE WILL BE MOUNTED ON THE TOP RIGHT-SIDE OF THE ENCLOSURE.



CONTROLS