



FEATURES:

- Red Alarm Light
- High Decibel Vibrating Buzzer Audible
- NEMA 4X Fiberglass Enclosure
- Stainless Piano Hinged Door
- Stainless Door Latches w/Padlock Hasp
- External Mounting Feet
- Programmable Cycle Timer
- 2 Pole, "Definate Purpose" Contactor
- "Hand/Off/Auto" Heavy Duty Toggle
- Alarm "Test/Silence" Heavy Duty Toggle
- Redundant Off Circuit
- Field Wiring Terminal Strips
- Motor Circuit Breaker
- Individual 3 Amp Control/Alarm Circuit Fuses
- UL 508A Listing (optional)
- One Year Limited Warranty



TC230 shown

APPLICATIONS INCLUDE:

Cycle Dosing or Timed Pumping for:
 Sump & Sewage Basins
 Septic Tanks & Aeration Systems
 Cisterns & Atmospheric Storage Tanks
 Chemical Solution Tanks
 And Many More...

AVAILABLE OPTIONS:

Elapsed Time Meter
 Cycle Counter
 UL 508A Listing

2 Hp. Max. - Motors With On-Winding Overload Protection

Specifications

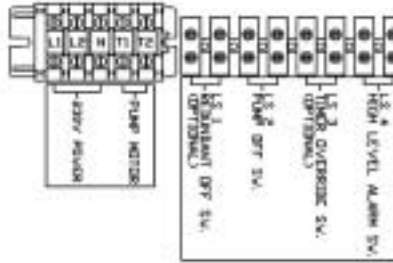
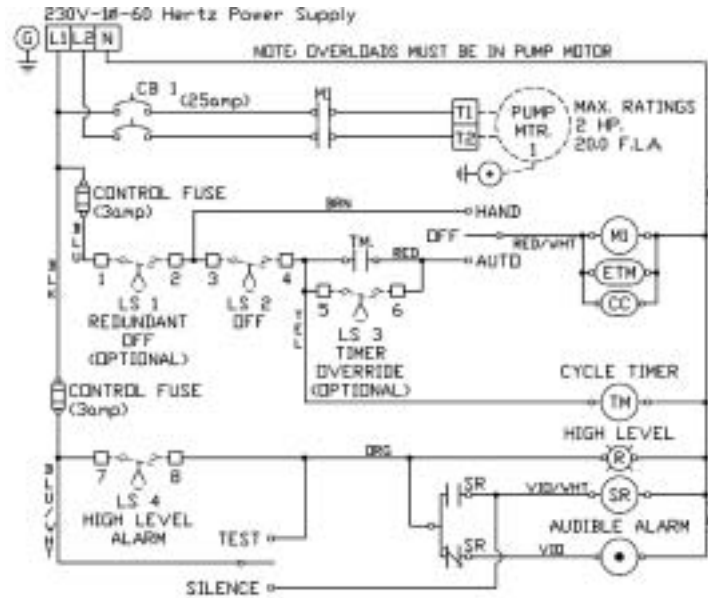
Model	Location Use	Max Full Load Amps	Enclosure Type	Enclosure Material	Input Power VAC -Ph	Option Included	Alarm Fuse	Control Fuse	Approx Ship Weight
TC230	Outdoor	20	NEMA 4X	Fiberglass	230-1	---	3 Amp	3 Amp	13 lbs
TC230H	Outdoor	20	NEMA 4X	Fiberglass	230-1	ETM	3 Amp	3 Amp	13 lbs
TC230C	Outdoor	20	NEMA 4X	Fiberglass	230-1	Counter	3 Amp	3 Amp	13 lbs
TC230HC	Outdoor	20	NEMA 4X	Fiberglass	230-1	Both	3 Amp	3 Amp	13 lbs

*Add Suffix - FB to Model # If Ordering Float Switch and Float Switch Mounting Bracket Option
 Float Kit Includes (3) MPF-0-10 Float Switches & (1) FSB-SS3 Float Switch Mounting Bracket

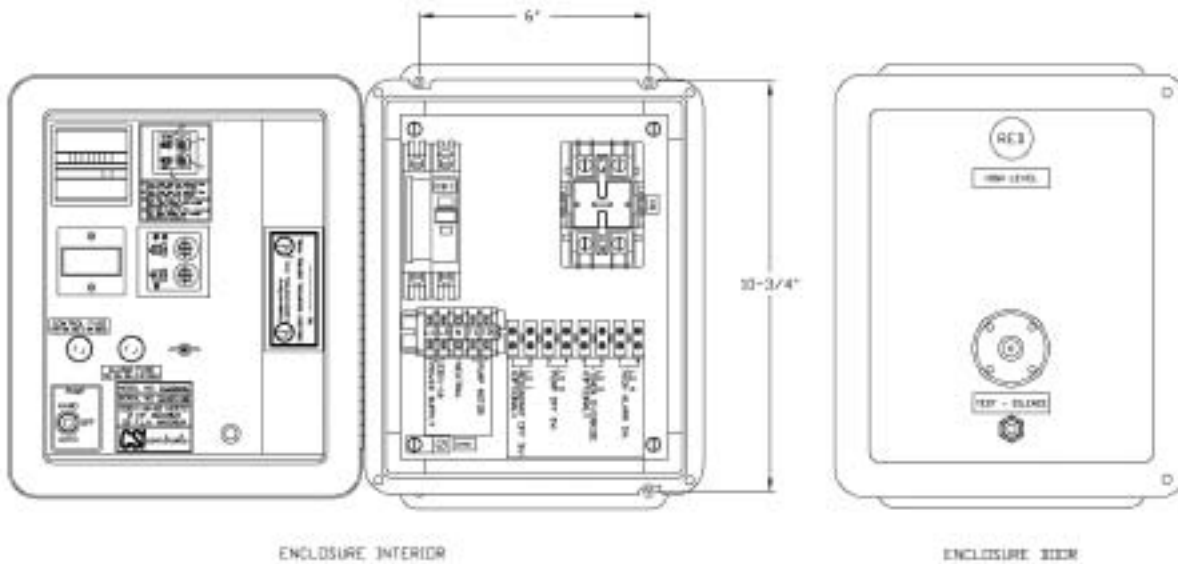
Can't Find What You Need Listed Above?
 Remember CSI can custom build control panels to meet your specific needs!



Watch Dog Series TC230 NEMA 4X Simplex Control



Model #TC230HC



ENCLOSURE INTERIOR

ENCLOSURE EXTERIOR

TIMED DOSING CONTROL PANELS (230V)