



FEATURES:

- Flashing Red Alarm Light
- Run Light
- High Decibel Audible (optional)
- NEMA 4X Fiberglass Enclosure
- Stainless Piano Hinged Door
- Stainless Door Latches w/Padlock Hasp
- External Mounting Feet
- 3 Pole, Non-Reversing Contactors
- Adjustable Overload Relay
- Hand Run Pushbutton
- Alarm Test/Silence Pushbutton
- Field Wiring Terminal Strips
- Motor Circuit Breaker
- Control Circuit Transformer - Primary Fusing & Breaker
- Individual Control/Alarm Circuit Fuses
- UL 508A Listing (optional)
- One Year Limited Warranty

See Page 15 to learn about the Advantages of the Titan Float System!



APPLICATIONS INCLUDE:

Starting & Stopping Pump for:
 Sump & Sewage Basins
 Septic Tanks & Aeration Systems
 Cisterns & Atmospheric Storage Tanks
 Chemical Solution Tanks
 And Many More...

No Motor Heat Sensor or Seal Fail Probes

AVAILABLE OPTIONS:

Piezo Buzzer

(Automatic reset silence circuit included with all audibles)

Digital Display Center

UL 508A Listing

Specifications

Model	Location Use	Max Full Load Amps	Enclosure Type	Enclosure Material	Input Power VAC -Ph	Audible Included	Alarm Fuse	Control Fuse	Approx Ship Weight
TSF203	Outdoor	18	NEMA 4X	Fiberglass	208-3	---	3 Amp	3 Amp	13 lbs
TSF203P	Outdoor	18	NEMA 4X	Fiberglass	208-3	Piezo	3 Amp	3 Amp	13 lbs

**Add Suffix For FLA Requirement (See table below)

*Add Suffix - FB to Model # If Ordering Float Switch and Float Switch Mounting Bracket Option
 Float Kit Includes (3) MPF-0-10 Float Switches & (1) FSB-SS3 Float Switch Mounting Bracket
 To include elapsed time meter & cycle counter a digital display may also be added

Important

This Titan Series panel is for small effluent type pumps only. No provisions for motor heat sensors or seal probes are provided. When ordering any of the above panels, match the full-load-amperes (FLA), of the pump(s) you are using to the chart to the right and add the proper suffix to the model number. EXAMPLE: You need a simplex control panel with alarm light and Piezo - your pump is 208 V with FLA rating of 5 - Order Model #TSF203P-10 for panel only or Model #TSF203P-10-FB if you want the float kit included

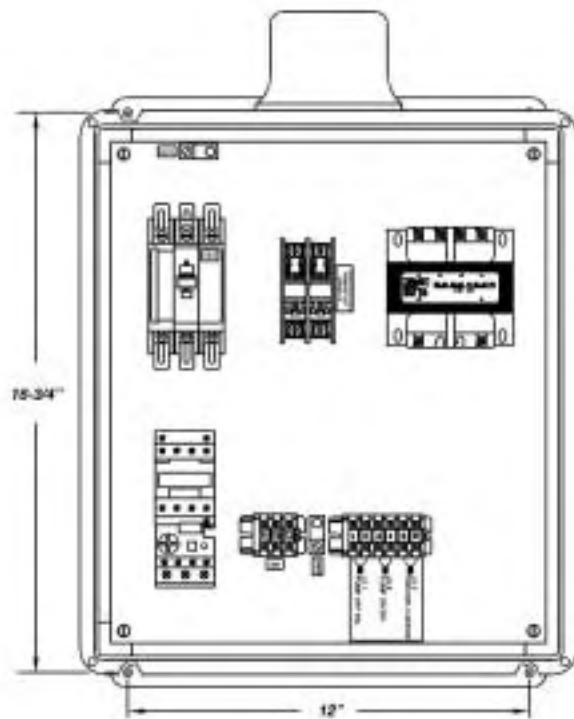
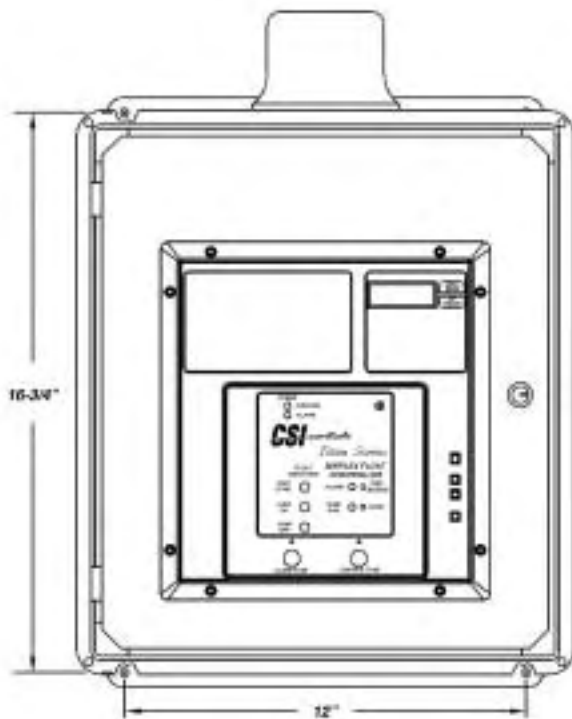
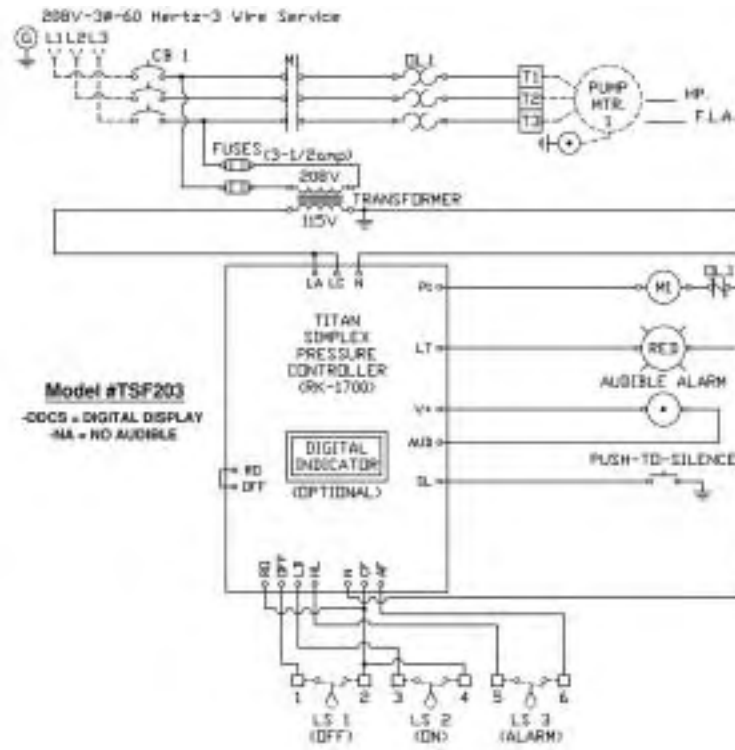
**FLA Rating Table

FLA	Suffix	FLA	Suffix
.063-1.0	-05	5.5 - 8	-12
1.0 - 1.7	-06	7 - 10	-14
1.6 - 2.5	-07	9 - 13	-16
2.5 - 4	-08	12 - 18	-21
4 - 6	-10		



Titan Series

TSF203 Simplex Float



Model #TSF203 w/Audible

AUDIBLE ALARM WILL BE HEARD THROUGH THE BOTTOM OF THE ENCLOSURE