



# Float Switches

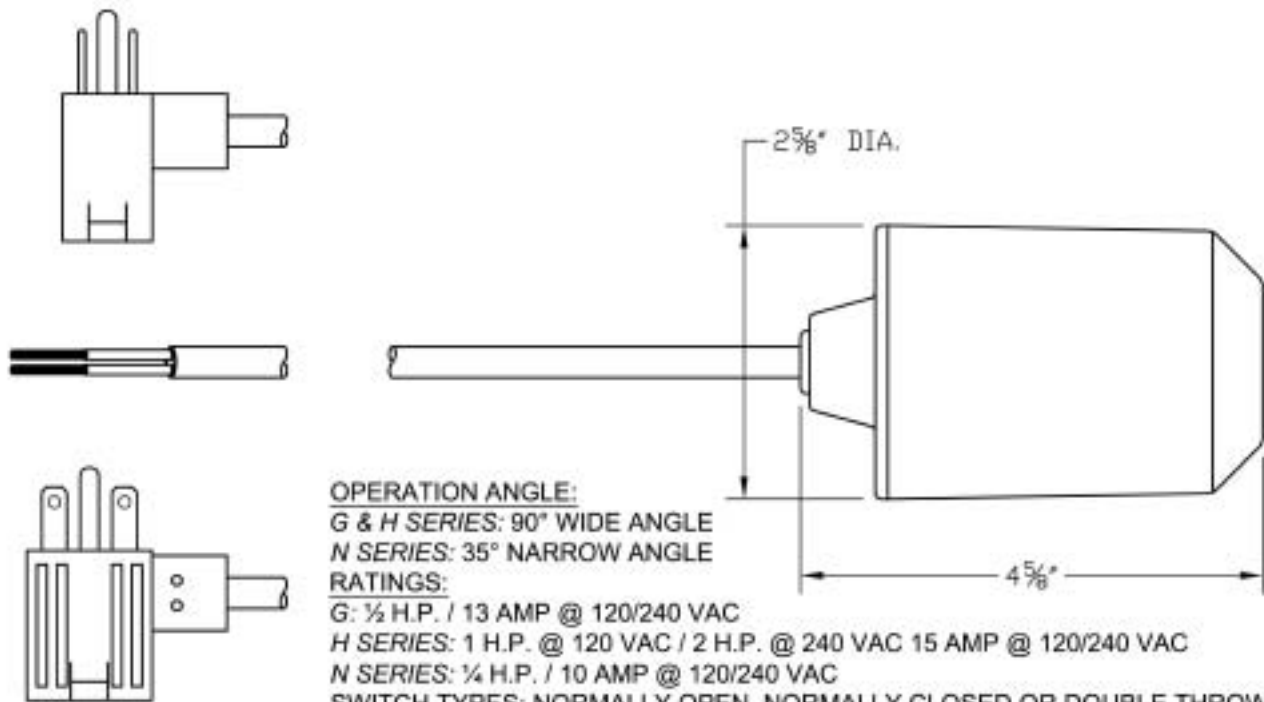
## FEATURES:

- Offered in Both Mercury & Mechanical
- Tough 16/2 - SJOW Float Cable
- N/O, N/C, or SPDT Configurations
- Optional Zinc-Plated Weight Available  
(Just add a "W" to the end of the Float Model #)
- Other Accessories Include:
  - Pipe Mount w/ Stainless Band
  - Float Brackets

## APPLICATIONS INCLUDE:

- Sump & Sewage Basins
- Septic Tanks & Aeration Systems
- Cisterns & Atmospheric Storage Tanks
- Chemical Solution Tanks
- And Many More...

**NOTE:** All Float Switches are available in virtually any cord length, with or without cord weights. The most popular versions are listed. Please consult a CSI representative or the factory for specifications and pricing on other models.

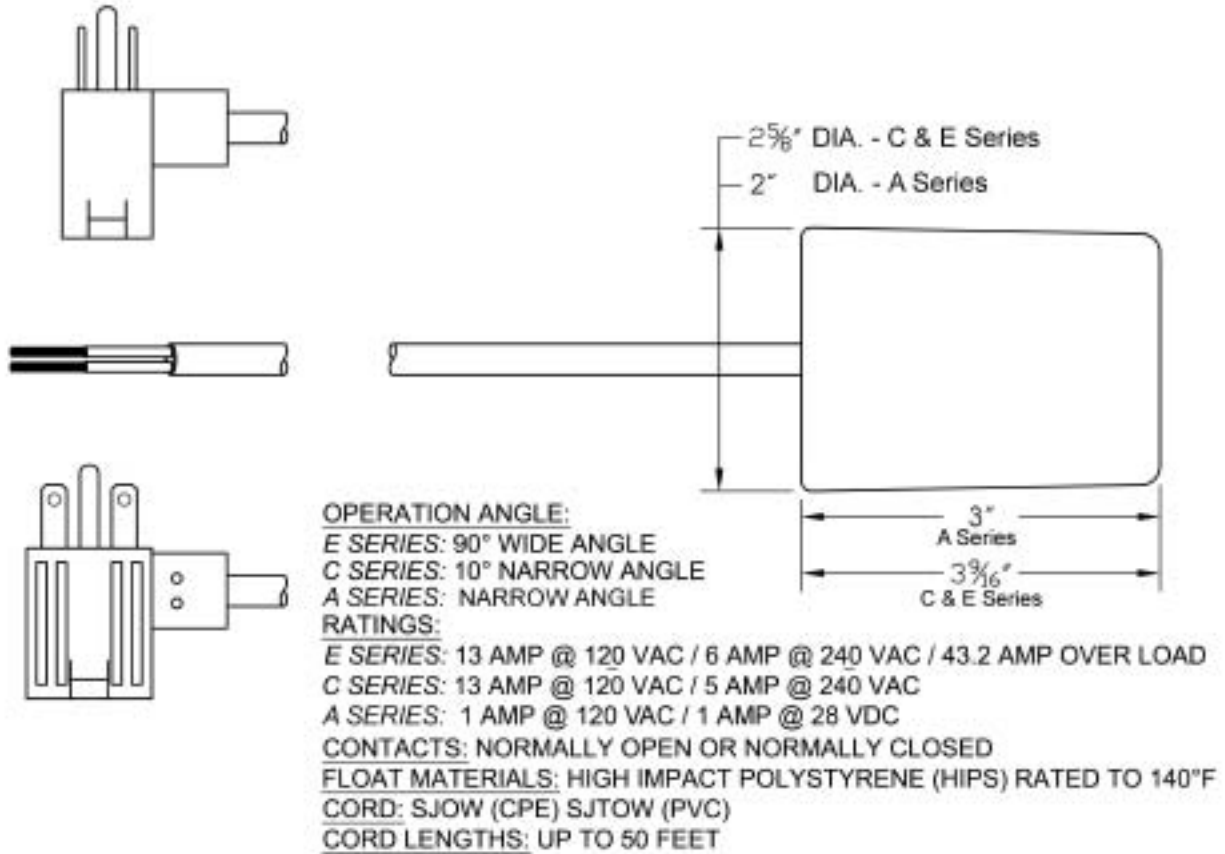


**SWITCH TYPES:** NORMALLY OPEN, NORMALLY CLOSED OR DOUBLE THROW  
**FLOAT MATERIALS:** HIGH IMPACT POLYSTYRENE (H.I.P.S.) RATED TO 140°F,  
 OR ACRYLONITRILE BUTADIENE STYRENE (A.B.S.) RATED TO 186°F.  
**CORD:** SJOW (CPE) SJTOW (PVC)  
**CORD LENGTHS:** UP TO 50 FEET.

ACCESSORIES



# Float Switches



## Double Throw



Double Throw Hook Up

- Black is common
- Red is Normally Open (Pump Down)
- White is Normally Closed (Pump Up)

## Narrow Angle Mechanical Floats - 16/2 Wire 10 Amps @ 120/240 VAC

Model	Switch Type	Switch Control Angle	Switch Control Type	Cord Length (Feet)	Amp Rating (115/240VAC)	Plug	Approx Ship Weight	List Price
NF20W1500	Mechanical	Narrow	N/O	15	10	N/A	2 lbs	\$18.45
NF20W2000	Mechanical	Narrow	N/O	20	10	N/A	2 lbs	\$21.13
NF20W2500	Mechanical	Narrow	N/O	25	10	N/A	2 lbs	\$23.21
NF20W3000	Mechanical	Narrow	N/O	30	10	N/A	2 lbs	\$26.19
NF20W5000	Mechanical	Narrow	N/O	50	10	N/A	2 lbs	\$38.10
NW2CW2500	Mechanical	Narrow	N/C	25	10	N/A	2 lbs	\$24.40
NW2CW5000	Mechanical	Narrow	N/C	50	10	N/A	2 lbs	\$39.58

Continued on next page



# Mechanical Float Switches

## Wide Angle Mechanical Floats - 16/2 Wire 1/2 HP or 13 Amps @ 120/240 VAC

Model	Switch Type	Switch Control Angle	Switch Control Type	Cord Length (Feet)	Amp Rating (115/240VAC)	Plug	Approx Ship Weight	List Price
GF20W1500	Mechanical	Wide	N/O	15	13	N/A	1.3 lbs	\$17.71
GW2CW1500	Mechanical	Wide	N/C	15	13	N/A	1.3 lbs	\$18.45
GF20W2000	Mechanical	Wide	N/O	20	13	N/A	1.6 lbs	\$20.39
GW2CW2000	Mechanical	Wide	N/C	20	13	N/A	1.6 lbs	\$21.13
GW2CW2500	Mechanical	Wide	N/C	25	13	N/A	1.9 lbs	\$24.85
GF20W5000	Mechanical	Wide	N/O	50	13	N/A	4.2 lbs	\$40.18
GF20W10R1	Mechanical	Wide	N/O	10	13	115V	1.1 lbs	\$17.11
GF20W15R1	Mechanical	Wide	N/O	15	13	115V	1.3 lbs	\$22.17
GF20W20R1	Mechanical	Wide	N/O	20	13	115V	1.6 lbs	\$23.07
GF20W20R2	Mechanical	Wide	N/O	20	13	230V	1.6 lbs	\$27.53

## Wide Angle Mechanical Floats - Double Throw, 16/3 Wire 1/2 HP or 13 Amps @ 120/240 VAC

Model	Switch Type	Switch Control Angle	Switch Control Type	Cord Length (Feet)	Amp Rating (115/240VAC)	Plug	Approx Ship Weight	List Price
GG2DW1500	Mechanical	Wide	SPDT	15	13	N/A	1.3 lbs	\$17.26
GG2DW2000	Mechanical	Wide	SPDT	20	13	N/A	1.6 lbs	\$20.54
GG2DW3000	Mechanical	Wide	SPDT	30	13	N/A	2.2 lbs	\$29.46
GG2DW5000	Mechanical	Wide	SPDT	50	13	N/A	4.1 lbs	\$49.11

## Wide Angle Mechanical Floats - 14/2 Wire 1HP @ 120 VAC - 2 HP @ 240 VAC

Model	Switch Type	Switch Control Angle	Switch Control Type	Cord Length (Feet)	Rating 120/240VAC (HP)	Plug	Approx Ship Weight	List Price
HF20U1500	Mechanical	Wide	N/O	15	1 - 2	N/A	1.3 lbs	\$29.17
HW2CU1500	Mechanical	Wide	N/C	15	1 - 2	N/A	1.3 lbs	\$29.17
HF20U2000	Mechanical	Wide	N/O	20	1 - 2	N/A	1.6 lbs	\$32.89
HF20U2500	Mechanical	Wide	N/O	25	1 - 2	N/A	1.9 lbs	\$36.61
HF20U3000	Mechanical	Wide	N/O	30	1 - 2	N/A	2.2 lbs	\$43.15
HF20U5000	Mechanical	Wide	N/O	50	1 - 2	N/A	4.2 lbs	\$68.75
HF20U15R1	Mechanical	Wide	N/O	15	1 - 2	115V	1.3 lbs	\$32.14
HF20U15R2	Mechanical	Wide	N/O	15	1 - 2	230V	1.3 lbs	\$36.60
HF20U20R1	Mechanical	Wide	N/O	20	1 - 2	115V	1.6 lbs	\$38.10
HF20U20R2	Mechanical	Wide	N/O	20	1 - 2	230V	1.6 lbs	\$40.18

**NOTE:** All Float Switches are available in virtually any cord length, with or without cord weights. The most popular versions are listed. Please consult a CSI representative or the factory for specifications and pricing on other models.

ACCESSORIES



# Mercury Floats & Accessories

## Narrow Angle Mercury Floats 13 Amps @ 120 VAC 5 Amps @ 240 VAC

Model	Switch Type	Switch Control Angle	Switch Control Type	Cord Length (Feet)	Amp Rating (115/240VAC)	Plug	Approx Ship Weight	List Price
CM10Y1000	Mercury	Narrow	N/O	10	13 - 5	N/A	0.6 lbs	\$21.58
CM10Y1500	Mercury	Narrow	N/O	15	13 - 5	N/A	0.9 lbs	\$24.26
CM10Y2000	Mercury	Narrow	N/O	20	13 - 5	N/A	1.2 lbs	\$26.49
CM10Y2500	Mercury	Narrow	N/O	25	13 - 5	N/A	1.5 lbs	\$29.17
CM10Y3000	Mercury	Narrow	N/O	30	13 - 5	N/A	1.8 lbs	\$31.85
CM10Y5000	Mercury	Narrow	N/O	50	13 - 5	N/A	4 lbs	\$41.67

## Wide Angle Mercury Floats 13 Amps @ 120 VAC 6 Amps @ 240 VAC / 43.2 Amp Overload

Model	Switch Type	Switch Control Angle	Switch Control Type	Cord Length (Feet)	Amp Rating (115/240VAC)	Plug	Approx Ship Weight	List Price
EM10W1500	Mercury	Wide	N/O	15	13 - 6	N/A	0.9 lbs	\$19.94
EM10W15R1	Mercury	Wide	N/O	15	13 - 6	115	1 lbs	\$23.51
EM10W15R2	Mercury	Wide	N/O	15	13 - 6	230	1.1 lbs	\$28.42

## Narrow Angle Mini-Mercury Floats 1 Amp @ 120 VAC 1 Amp @ 28 VDC

Model	Switch Type	Switch Control Angle	Switch Control Type	Cord Length (Feet)	Amp Rating (120VAC/28VDC)	Plug	Approx Ship Weight	List Price
AS20Y1000	Mercury	Narrow	N/O	10	1 - 1	N/A	0.6 lbs	\$14.14
AS20Y1500	Mercury	Narrow	N/O	15	1 - 1	N/A	0.9 lbs	\$16.82
AS20Y2000	Mercury	Narrow	N/O	20	1 - 1	N/A	1.2 lbs	\$20.09
AS20Y3000	Mercury	Narrow	N/O	30	1 - 1	N/A	1.8 lbs	\$24.85
AS20Y5000	Mercury	Narrow	N/O	50	1 - 1	N/A	4 lbs	\$34.52

**NOTE:** All Float Switches are available in virtually any cord length, with or without cord weights. The most popular versions are listed. Please consult a CSI representative or the factory for specifications and pricing on other models.

### Cord Weight Assembly



Model # RKC-10

The Cord Weight can be added to any float by just adding a "W" to the end of the float model number or separately by ordering the cord weight model number.

List Price \$5.88

### Pipe Mount w/ Stainless Band Assembly



Model # SSPMFB

Simplify your float installation by adding Stainless Band Assemblies to your order.

List Price \$5.00

ACCESSORIES