



Universal Pedestal Mounting System

FEATURES:

- Indoor or Outdoor Use
- 4" x 5" Covered Access Opening
- Round Wireway
- 2" Stainless Steel Screened Vent
- Reinforced Wireway for Extra Strength
- Pre-Drilled Mounting Holes in Plate & Base
- Available in Steel, Stainless, or Aluminum
- Installs & Wires Quickly
- One Year Limited Warranty



APPLICATIONS INCLUDE:

Mounting Base for:
Indoor & Outdoor System Controls

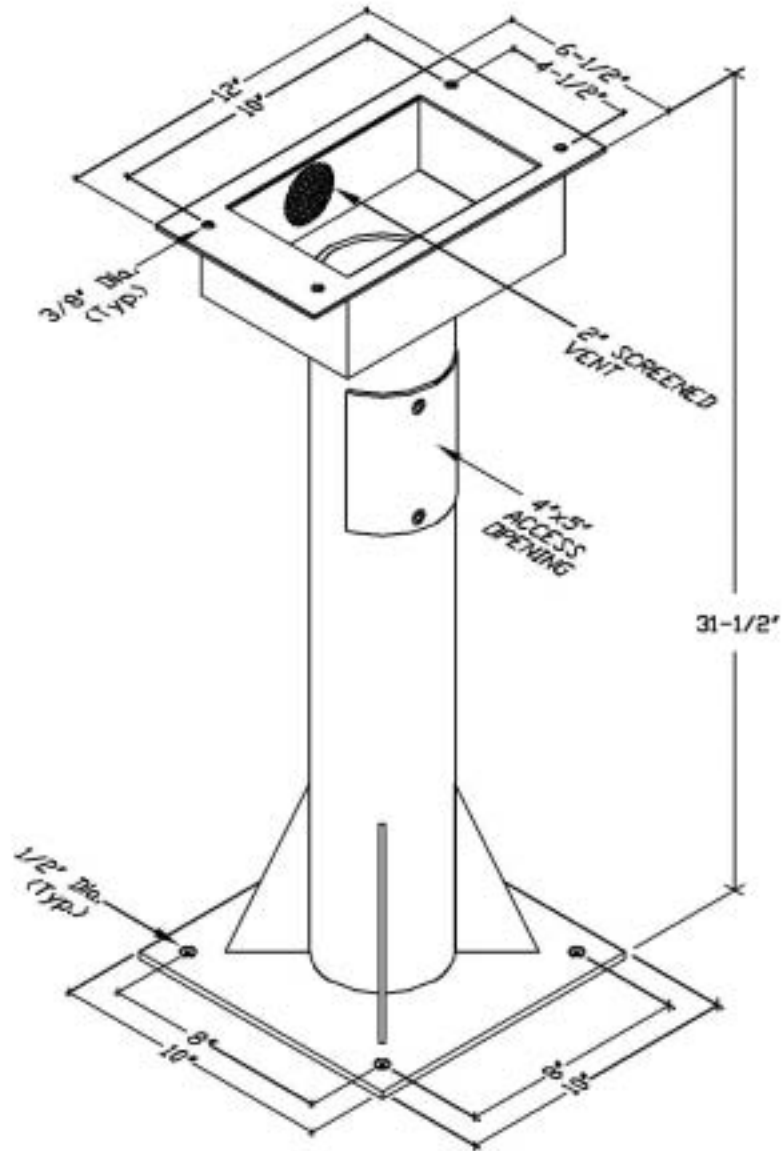
ACCESSORIES

Model	Construction	Overall Height (Inches)	Base Size (Inches)	Upper Plate Size (Inches)	Wireway I.D. (Inches)	Approx. Ship Weight	List Price
PM-1	Painted Steel	31.5	10 x 10	6.5 x 12	3.75	30 lbs	\$540.00
PM-2	Stainless Steel	31.5	10 x 10	6.5 x 12	3.75	30 lbs	\$661.00
PM-3	Aluminum	31.5	10 x 10	6.5 x 12	3.75	25 lbs	\$661.00

Pedestal Mounting Systems Include (4) Stainless Steel Panel Mounting Bolts.
Gas-Tight Cord Grips available as an Option. (Consult factory for details)



Typical Universal Pedestal Mounting System



ACCESSORIES